

Gas Bill

budget@home

January meter reading (units):

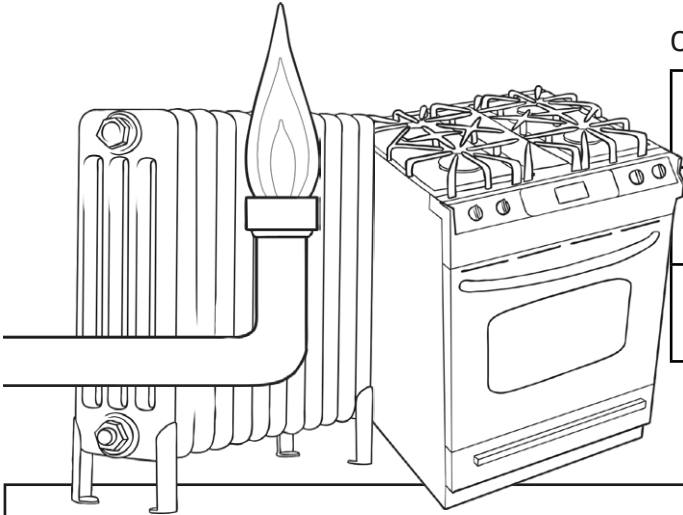
6274

December meter reading (units):

7803

Complete the gas bill:

Cost per unit of gas	47p
Units used in year	
Total cost of gas used	

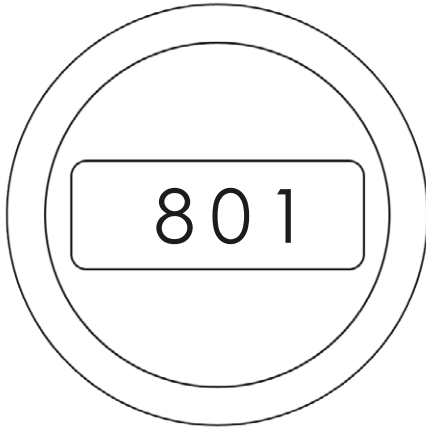


--

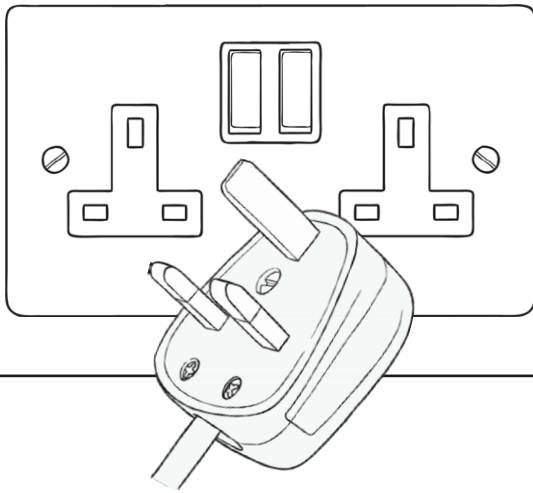
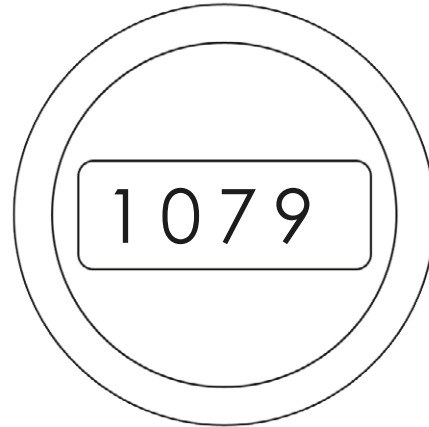
Electricity Bill

budget@home

January meter reading (units):



February meter reading (units):



Complete the electricity bill:

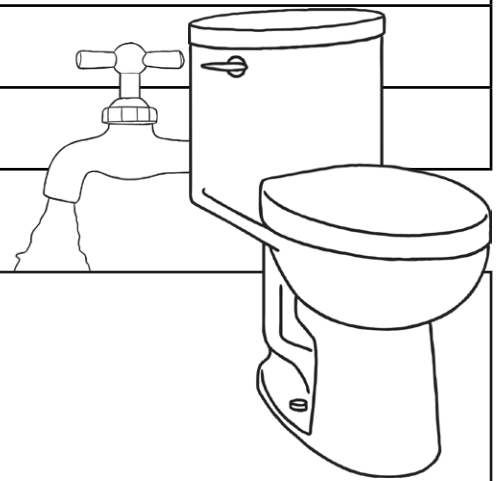
Cost per unit of gas (pence per unit)	13p
Units used in month	
Total cost of electricity used per month	£
Estimated total cost for the year	£

Water Bill

budget@home

For the period April – June (quarterly payment). Complete the water bill.

	Water (m ³)	Waste water (m ³)
Units used	39	32
Cost per unit	£1.98	£3.16
Total cost of units used	£	£
Fixed cost	£14.26	£29.07
Total Cost	£	£
Total	£	
Estimated cost for the year	£	



Council Tax Bill

budget@home

For the period April – March (yearly bill). Complete the council tax bill.

	Amount
Council	£ 1 153.31
Police Authority	£ 129.26
Fire Service	£ 76.14
Total	£
Deductions: Single person discount (25%)	£
Amended total	£
12 monthly instalments	£



Broadband Bill

budget@home

For the period April – June (quarterly bill). Complete the broadband bill.

TV		
Subscription		Free
Sport package	£	42.99
Unlimited movie deal	£	21.89
Internet		
Unlimited data package	£	7.46
Telephone		
Line rental	£	14.92
Local calls	£	8.46
National calls	£	37.01
Total		£
3 monthly instalments		£

